

# Programblocks

Getting started



Swansea University  
Prifysgol Abertawe

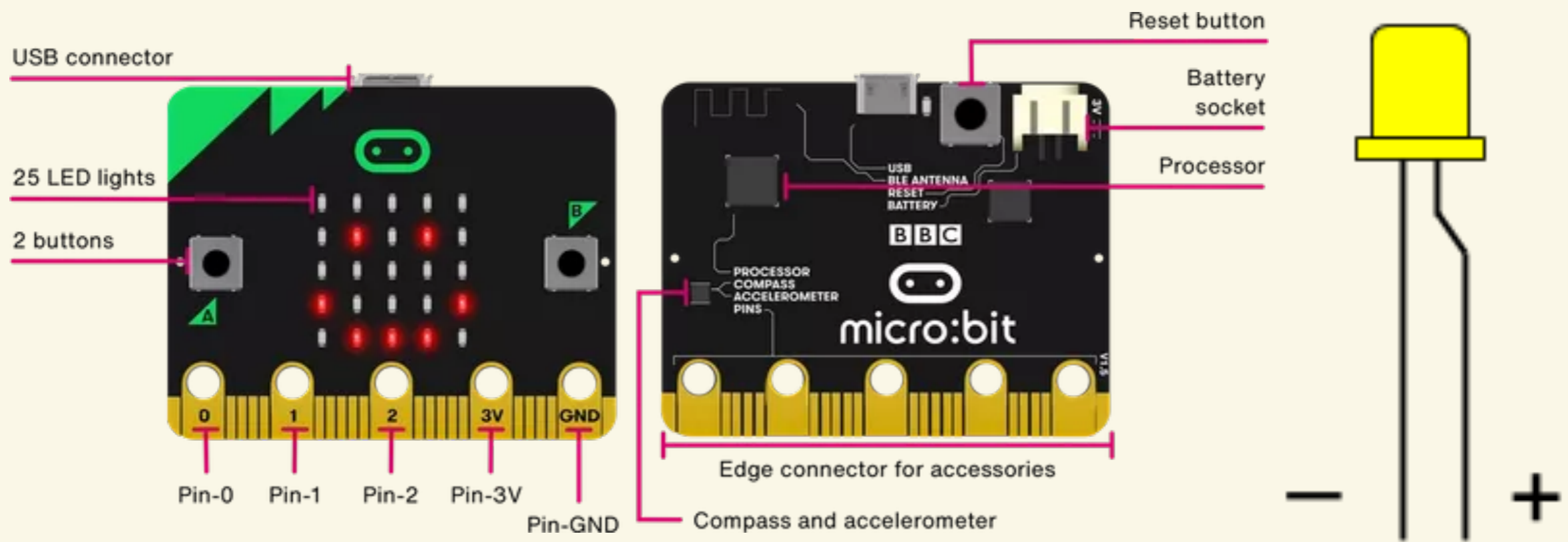


# 01 Kit contents

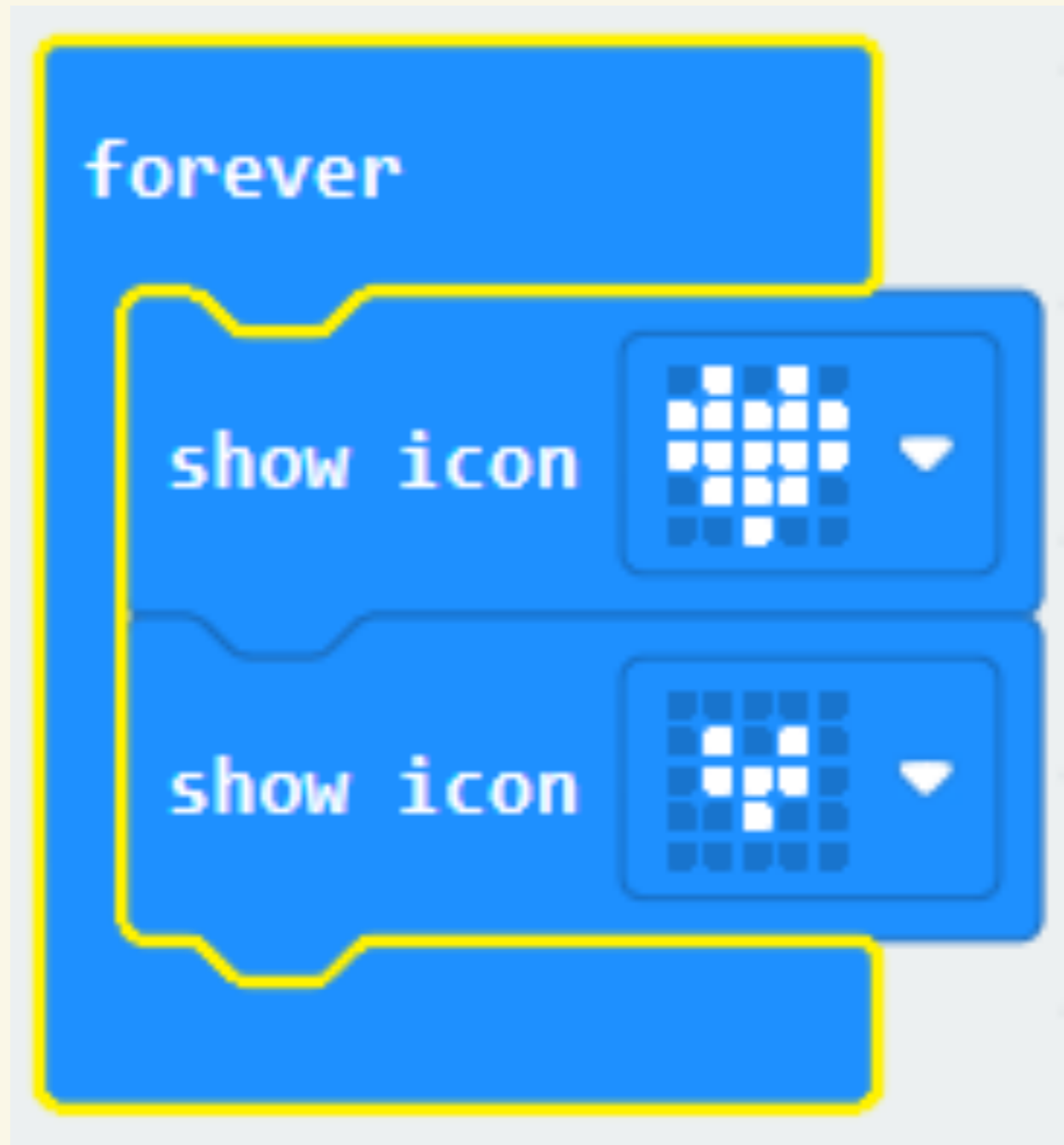
## Your Kit should contain the following:

- 1x BBC Microbit
- 1x USB to USB micro cable
- 6x Alligator clips
- 4x resistors
- 4x LED

## Layout of BBC Microbit and LED polarity



## Blocks



# 03 Sun light detector

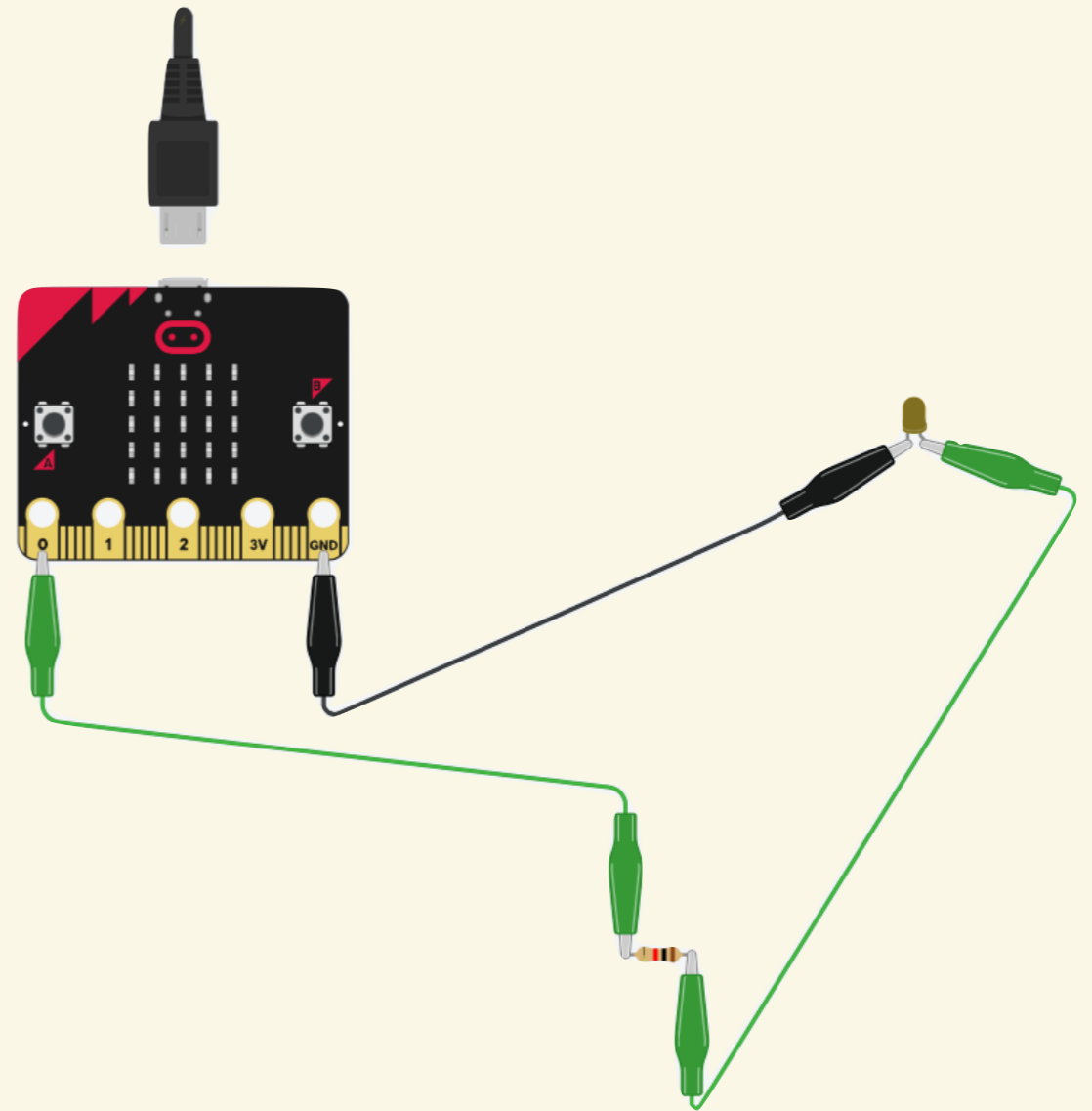
```
forever
  if light level > 100 then
    show leds
  else
    show icon [icon]
```

# 03 Blinky lights

## Blocks

```
forever
  digital write pin P0 to 1
  pause (ms) 500
  digital write pin P0 to 0
  pause (ms) 500
```

## Circuit

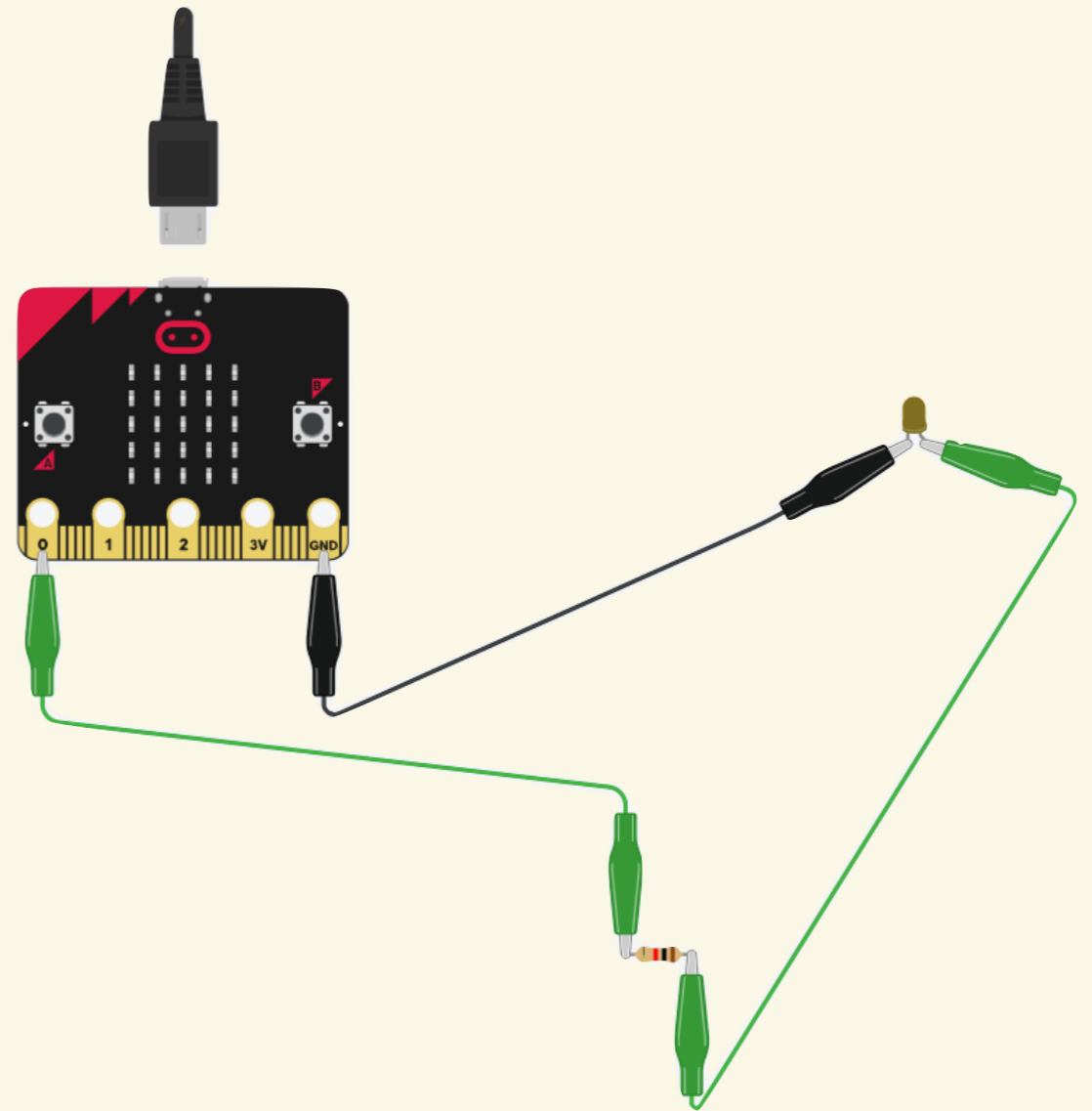


# 04 Pulsing Light

## Blocks

```
forever
  for i from 0 to 500
    do
      analog write pin P0 to i
      pause (ms) 1
    do
      for k from 0 to 500
        do
          analog write pin P0 to 500 - k
          pause (ms) 1
        do
```

## Circuit



## Blocks

```
forever
  for i from 0 to 500
    do
      analog write pin P0 to i
      pause (ms) 1
  for k from 0 to 500
    do
      analog write pin P0 to 500 - k
      pause (ms) 1
```

## Circuit

